

TECHNICAL SPECIFICATIONS

EVOTERM COMBI 3-13

INDOOR UNIT			
Heating Capacity		kW	3 - 13
	Nominal (1)	kW	6,00
	Maximum	kW	13,00
Nominal Consumption		kW	1,34
COP (1)			4,5
Cooling Capacity (2)		kW	3 - 12,7
	Nominal (2)	kW	4,70
	Maximum	kW	12,70
Nominal Consumption		kW	1,12
EER (2)			4,2
Energy Class - Environment Heating			A++
Dimensions	AxLxP	mm	1900x600x840
Weight	Kg		243
Maximum Temperature		°C	60
Hydraulic Connections	Outlet / Inlet		1" M
Domestic Hot Water (DHW)	Tank	L	200
	Material		INOX AISI 316L
	Máx. Temp. (compressor only)	°C	70
Electrical Backup		W	1500
DHW Connections	Cold / Hot		3/4" M
COP DHW (3)			3,27
Consumption Profile			L
Efficiency ^a	%		138
DHW Energy Class			A+
Refrigerant	Type		R410A
	Preload	Kg	3,5
	Connections	Liquid	1/2"
	Vapor	3/4"	
Sound Pressure	(distance 1m)	dBA	42
Electrical Supply	Type		230V ou 400 V
	Electrical Cable	230V mm ²	3G6
		400V mm ²	5G4
	Protection Circuit Breaker	230V	40A
	400V	32A	

OUTDOOR UNIT			
Dimensions	AxLxP	mm	700x940x600
Weight	Kg		37
Sound Pressure	(distance 10m)	dBA	34
Type			Evaporator + Fan
Fan			Silent Axial Fan

INTERCONNECTION BETWEEN UNITS			
Electrical wiring		mm ²	3G1,5 + 4 x 0,5
Maximum distance without addition of refrigerant		m	10
Maximum distance with addition of refrigerant		m	20
Maximum drop		m	15

(1) According to the standard EN 14511, A 7 / W 30/35 | (2) According to the standard EN 14511, A 35 / W 18/23 | (3) According to the standard EN 16147, A 14 / W 10/54



More detailed information on:
energie.pt



Follow us at:
ENERGIE PORTUGAL

Authorized Dealer

Address Zona Industrial de Laúndos, Lote 48
4570-311 Laúndos - Póvoa de Varzim PORTUGAL

Fax + 351 252 600 239

E-mail energie@energie.pt

Web www.energie.pt

Project co-financed by:



This catalogue was created for information purposes only and does not constitute a contractual offer from ENERGIE Est Lda. ENERGIE Est Lda has compiled the content of this catalogue to the best of their knowledge. There is no guarantee expressed or implied regarding the completeness, accuracy, reliability for a particular purpose of its content and the products and services presented therein. Specifications are subject to change without notice. The ENERGIE Est Lda explicitly rejects any direct or indirect damage, in the broadest sense, arising from or related to the use and/or interpretation of this catalogue.
RoVo/03/2019

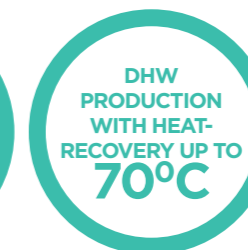
DESIGN, DEVELOPMENT
AND EUROPEAN MANUFACTURING



EVOTERM COMBI 3-13

CLIMATIZATION | DOMESTIC HOT WATER

ECONOMY | CONFORT | ECOLOGY



A NEW HEAT PUMP CONCEPT

We select the best components and subject our systems to the most rigorous quality tests in order to guarantee the maximum satisfaction of our customers

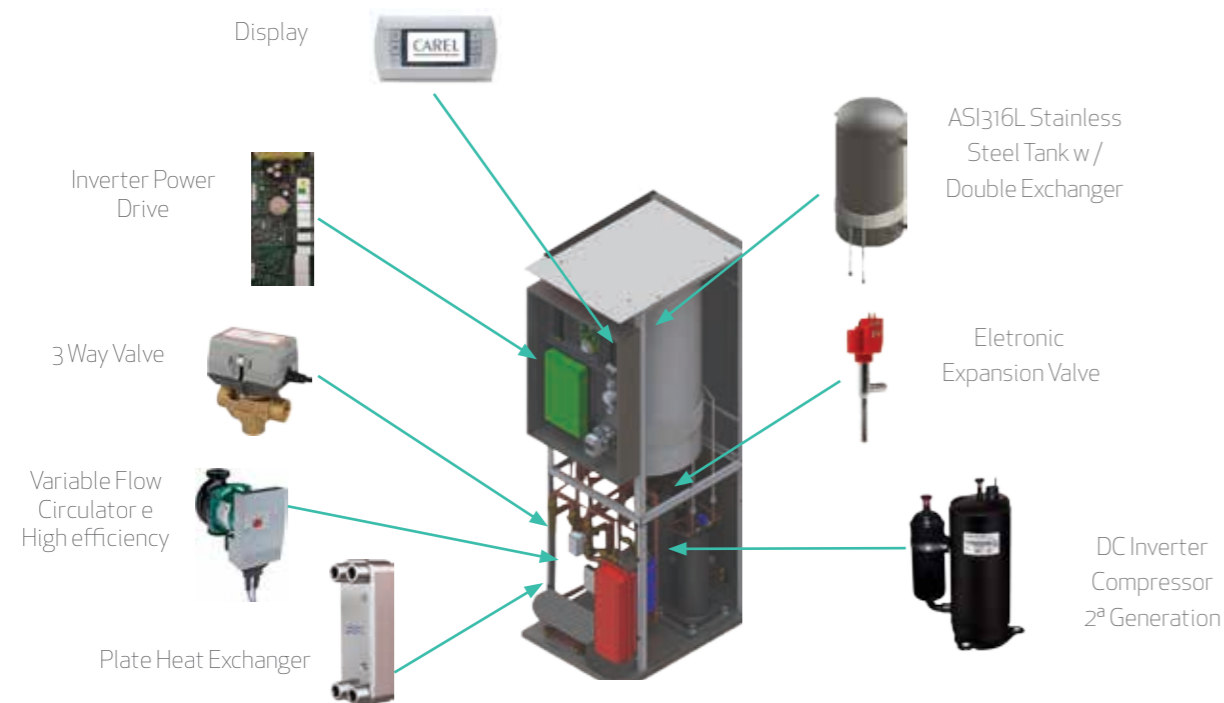
The **EVOTERM** systems results from the combination of more than 30 years of know-how in the development of heat pump technologies, with the need for to contribute to the Paris Agreement (2015) by reducing CO2 emissions and at the same time, respond to consumers that are increasingly more demanding and concerned about the economy and efficiency of their houses.

EVOTERM COMBI is an all-in-one solution. An Air Heat Pump built to the highest standards of quality with outstanding performance. With a compact design, it carries out heating and cooling, as well as the production of Domestic Hot Water, using the latest DC Inverter technology. Complies with the Energy Regulation for Housing standard (REH).

KEY CHARACTERISTICS EVOTERM COMBI 3-13

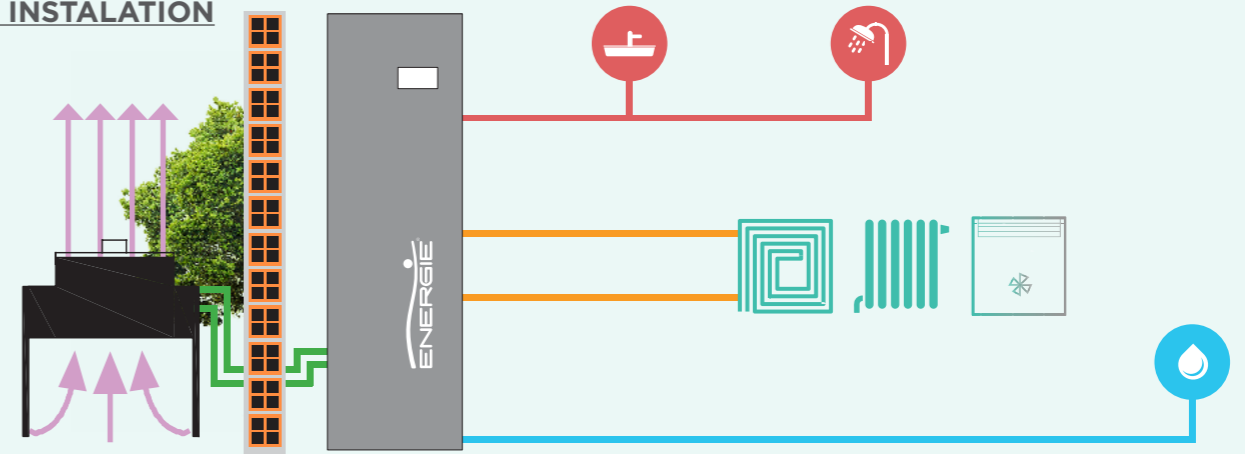
- INTEGRATED DHW TANK OF 200 L IN STAINLESS STEEL AISI 316L
- DHW PRODUCTION UP TO 70°C IN BC MODE WITH HEAT RECOVERY
- MAXIMUM DISTANCE BETWEEN UNITS UP TO 20M
- ErP READY
- DC INVERTER 2ND GENERATION TECHNOLOGY
- INDOOR UNIT OF REDUCED CLADDING (<1M²)
- OUTDOOR UNIT CABLE OF HORIZONTAL OR VERTICAL INSTALLATION
- CAREL CONTROL
- SOFT START SYSTEM
- TUV MANUFACTURING QUALITY
- DYNAMIC ANTIFREEZE EVAPORATOR
- SIMPLE "PLUG AND PLAY" INSTALLATION
- DC INVERTER AXIAL FAN
- COMPACT DESIGN UNITS

NOMENCLATURE EVOTERM COMBI 3-13

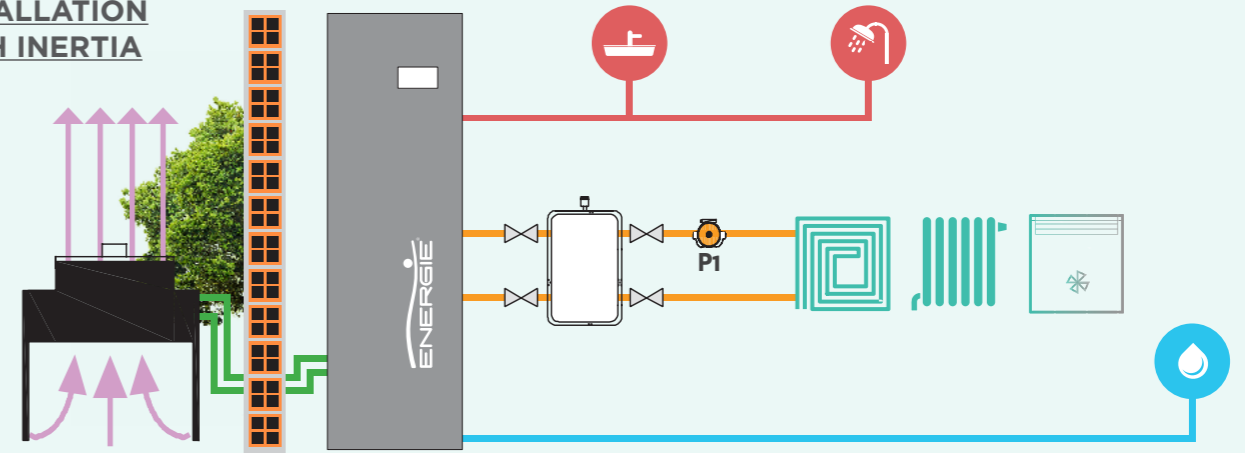


INSTALLATION SCENARIOS EVOTERM COMBI 3-13

NEW INSTALATION

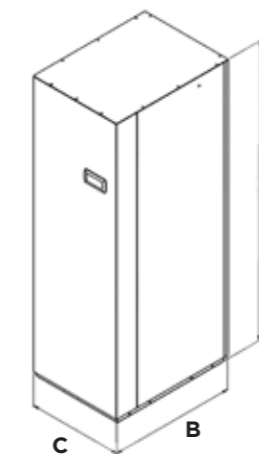


INSTALLATION WITH INERTIA

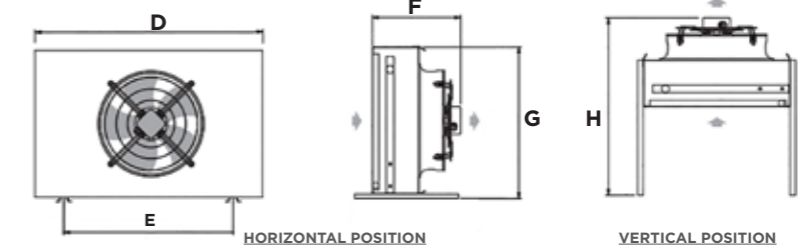


DIMENSIONS EVOTERM COMBI 3-13

INDOOR UNIT



OUTDOOR UNIT



A	1900 mm	C	600 mm	E	790 mm	G	684 mm
B	810 mm	D	950 mm	F	404 mm	H	804 mm