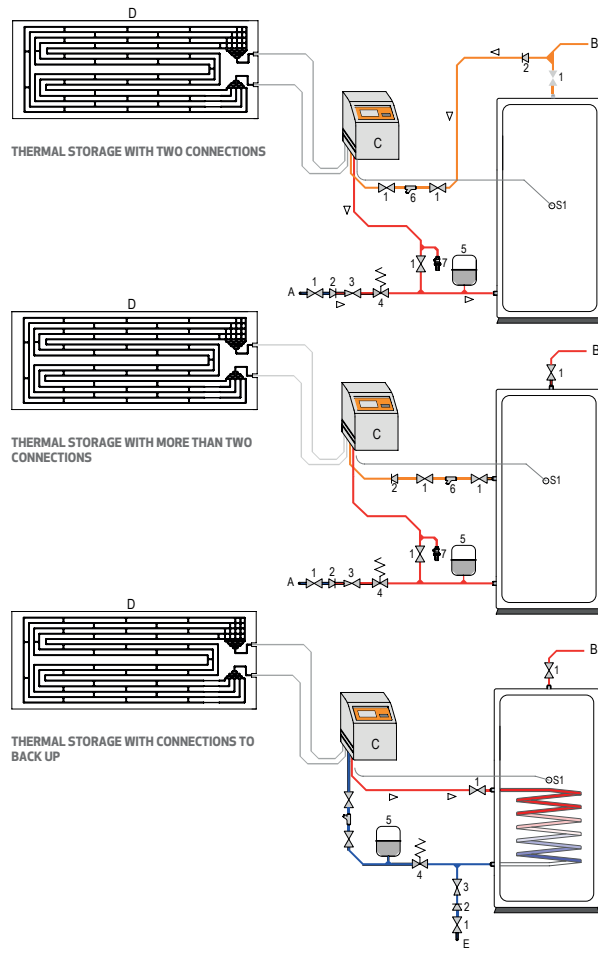


THERMODYNAMIC SOLAR SYSTEM

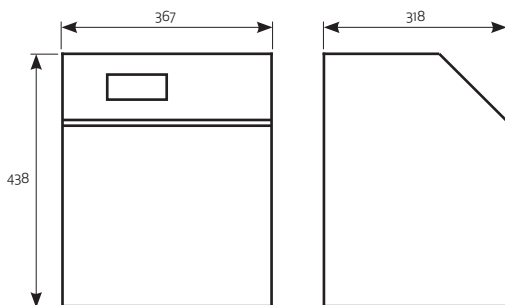
Domestic Hot Water

Caption

1	Sectioning Valve
2	Check Valve
3	Pressure Reducer
4	Safety Group
5	Expansion Vase
6	Filter
7	Discharge Valve
A	Network
B	Hot water Outlet
C	SolarBox
D	Thermodynamic Panel
E	Network
S1	Temperature Sensor



Technical drawing



Specifications	1 Panel	2 Panels
Max Thermal Power (Med./Max.)	1690/2900	2800/4550
Max Electric Power Consumed (Med./Max.)	390/550	595/890
Voltage / Frequency	230/50-60	230/50-60
Fluid	R134a / 0,8	R134a / 1,0
Max DHW Temperature (with Thermodynamics)	55	55
Maximum Working Pressure	7	7
Therm. Unit Input Output Connections (thread)	1/2 1/2	1/2 1/2
Solar Box / Thermodynamic Panel Weight	23,5 / 8	23,5 / 2x8
Therm. Panel Input Output Connections (thread)	3/8 1/4	1/2 3/8
ErP Class Tapping Profile	A L	A XL

Include hydraulic filter and Silentblocs